

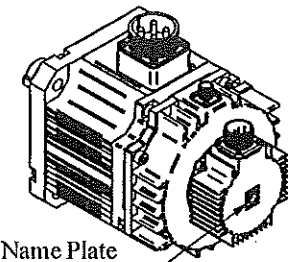
Model: JSMA-PIH30AAKB

No.	Item	Symbol	Unit	Specification	No.	Item	Symbol	Unit	Specification
1	Drive	-	-	3 ϕ 220 VAC	13	Rotor Inertia	Jm	kg-cm ²	42.36 \pm 10%
2	Cooling Method	-	-	Totally Enclosed	14	Rated Power Rate	Q-R	Kw/s	86.12
3	Exciting Method	-	-	Permanent Magnet	15	Resistance	Ra	Ω	0.275 \pm 10%/2 ϕ
4	Resolution	-	-	17 bit ABS	16	Inductance	L	mH	6.8 \pm 10% / 2 ϕ
5	Rated Output	P-R	W	3000	17	Mech. Time Constant	Tm	ms	1.12 \pm 10%
6	Rated Torque	T-R	N-m	19.1	18	Elect. Time Constant	Te	ms	24.69 \pm 10%
7	Max. Torque	T-max	N-m	47.75	19	Insulation Class	-	-	Class F
8	Rated Speed	N-R	rpm	1500	20	Operation Temp.	T	$^{\circ}$ C	0-40
9	Rated Current	I-R	A	16	21	Operation Humd.	RH	%	<80
10	Max. Current	I-max	A	40	22	Storage Temp.	T	$^{\circ}$ C	-20 $^{\circ}$ -60 $^{\circ}$
11	Torque Constant	Kt	N-m/A	1.19 \pm 10%	23	Storage Humd.	RH	%	<80
12	Voltage Constant	Ke	V/krpm	79.3 \pm 10%	24	Weight	W	kgw	21.0

PIN	Signal
B	+5V
I	0V
A	VB+
C	VB-
H	SD+
D	SD-
G	
E	
F	FG

Pin	Signal
A	U
B	V
C	W
D	FG

Pin	Signal
A	0
B	24V
C	

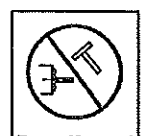


Name Plate for Notice

Encoder Wiring Military connector MS3102A32-17P Military connector MS3102A10SL-3P Military connector MS3102A20-18P

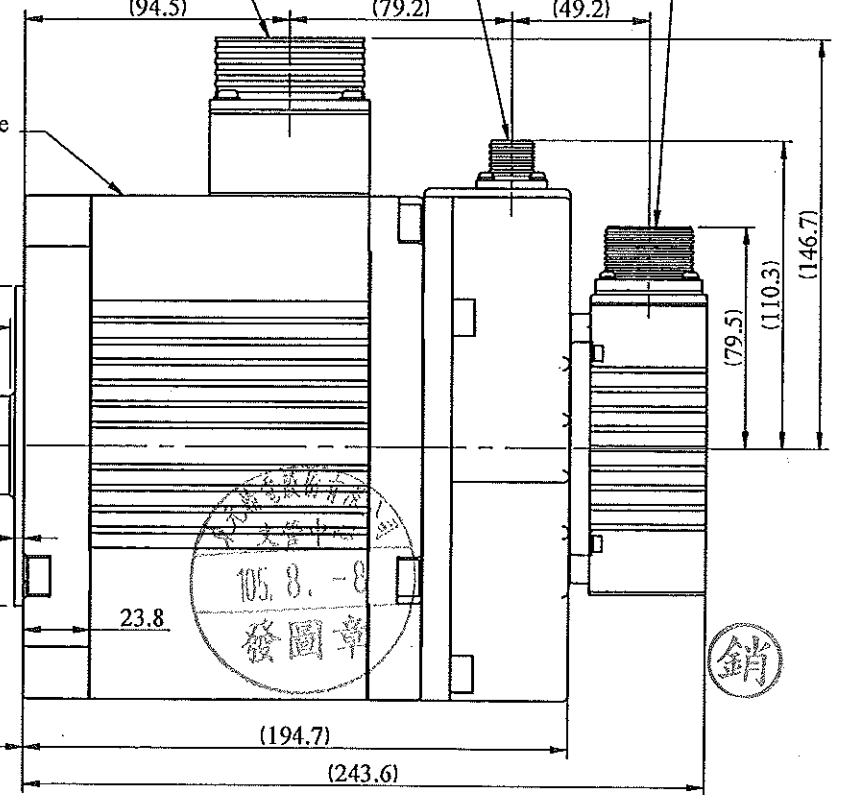
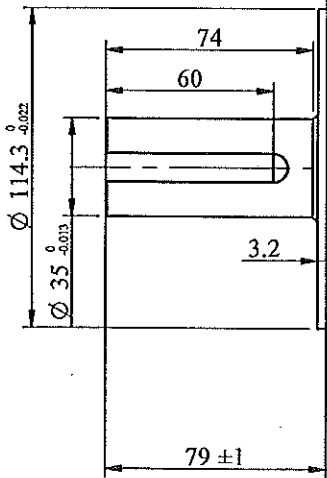
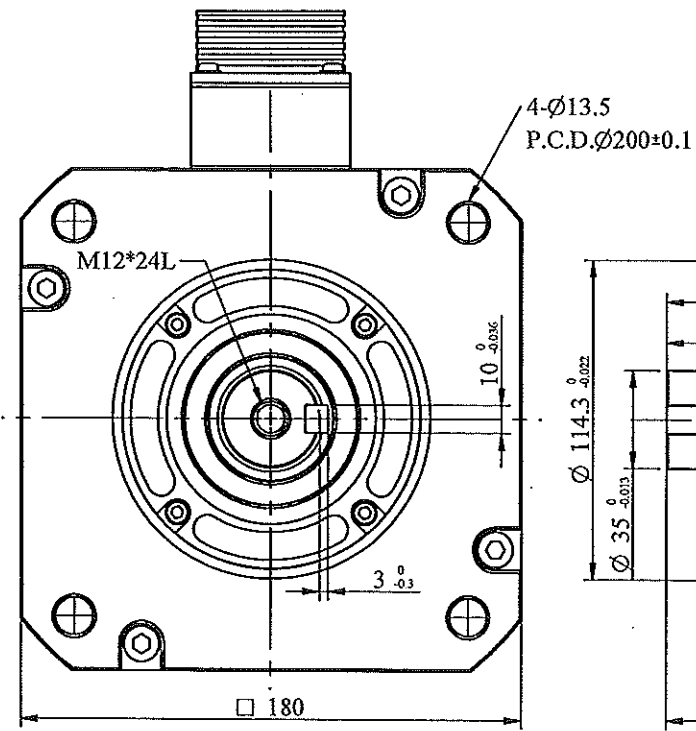
AC SERVO MOTOR
 Model: JSMA-PIH30AAKB
 Pr. 3.0 KW ; Nr. 1500 rpm
 Ir. 16 A , Tr. 19.1 N-m
 NO.
TECO ELECTRIC & MACHINERY CO., LTD.
 MADE IN TAIWAN

Name Plate for Spec



Do not Hammer!

Name Plate for Notice



NOTE:
 Motor to be IP67.
 (excluding the shaft opening & connectors)

STANDARD TOLERANCE		APVD	SCALE	UNIT	mm	NAME
X	±0.5	<i>L 5 9/16</i>				Servo Motor Outline Drawing
.X	±0.2	<i>Michelle 6/2/16</i>				JSMA-PIH30AAKB
.XX	±0.05		3RD .A.P			
ANGLE	±30'					
MATERIAL	REV	DESCRIPTION	SIGNATURE	DATE	SIGNATURE	DATE
					TECO ELECTRO DEVICES CO., LTD.	Dept. Design
						DWG. NO. D01B18302H3B3AD01